
SMALL SIZE, GREAT MANOEUVRABILITY



CX12-CX14

The CX electric pallet trucks are available in different versions equipped with MOSFET technology. They are suitable for carrying loads on smooth or paved surfaces. Its small size and turning radius make it the ideal tool to work with in confined spaces, such as lorries or narrow aisles.

MANOEUVRABILITY

Thanks to the B1 width, which is equal to the fork gauge, and the L2 measurement of 360 mm, the CX12 electronic pallet truck is the ideal tool for the handling of pallets on lorries, in supermarket aisles and any application where space is limited. This machine is the best configuration in its category thanks to the frame width, in-service weight and turning radius, thus guaranteeing great manoeuvrability and compactness.



STEERING WHEEL AND CONTROLS

- Ergonomic tiller
- Luminous indicator for battery state control.
- Butterfly valves for traction control.
- Safety pushbutton with warning buzzer.
- Forks way up/down control positioned on both sides of the handle (only on CX14).
- Hour counter in the Plus and Gel versions (only on CX14).
- "Tortoise" pushbutton for slow motion, which allows for the carrying out of operations with the tiller in vertical position.



PLUS BATTERIES

The Plus versions are equipped with semitraction batteries that guarantee greater autonomy and an operative life that allows for up to 5 times higher a number of charge life cycles.

Thanks to the design of its guard, access to batteries is easy and rapid; this model also optimally combines size, power and low running cost also due to the integrated batteries and battery charger.



STABILIZERS

Two stabilizing wheels enable movement even on more difficult surfaces thus guaranteeing maximum stability in any condition of use.



Description			
1.1	Manufacturer		LIFTER
1.3	Drive (Manual/Electric)		ELECTRIC
1.4	Operator type (Pedestrian/Standing)		PEDESTRIAN
1.5	Load capacity	Q kg	1400
1.6	Load centre distance	c mm	600
1.8	Load distance, center or drive axle to fork	x mm	935
1.9	Wheel base	y mm	1195

Weights			
2.1	Service weight, W/O platform - battery included	kg	246
2.1	Service weight, With platform - battery included	kg	NOT APPLICABLE
2.2	Axle load, laden front	kg	599
2.2	Axle load, laden rear	kg	1047
2.3	Axle load, unladen front	kg	207
2.3	Axle load, unladen rear	kg	39

Tyres/Chassis			
3.1	Tyres: traction wheel - Front		RUBBER
3.1	Tyres: stabilizers wheels - Front		POLY.C.
3.1	Tyres: rear wheels		POLY.C.
3.2	Tyre size: Traction wheel front - Diameter	mm	250
3.2	Tyre size: Traction wheel front - Width	mm	76
3.3	Tyre size: rear wheels - Diameter	mm	82
3.3	Tyre size: rear wheels - Width	mm	80
3.3	Tyre size: rear wheels - Q.ty	nr	2
3.4	Tyre size: stabilizers wheels front - Diameter	mm	100
3.4	Tyre size: stabilizers wheels front - Width	mm	40
3.4	Tyre size: stabilizers wheels front - Q.ty	nr	2
3.6	Tread, front	b10 mm	506
3.7	Tread, rear	b11 mm	535

Dimensions

4.4	Lift height	h3	mm	115
4.9	Height of tiller in drive position min/max	h14	mm	1242
4.15	Height, lowered	h13	mm	85
4.19	Overall length	l1	mm	1650
4.19	Overall length with lowered platform (Optional LX-FX series)	l1	mm	NOT APPLICABLE
4.19	Overall length with raised platform (Optional LX-FX series)	l1	mm	NOT APPLICABLE
4.20	Length to face of forks	l2	mm	500
4.20	Length to face of forks with lowered platform	l2	mm	NOT APPLICABLE
4.20	Length to face of forks with raised platform	l2	mm	NOT APPLICABLE
4.21	Overall width	b1	mm	720
4.22	Fork dimensions - Thickness	s	mm	50
4.22	Fork dimensions - Width	e	mm	150
4.22	Fork dimensions - Length	l	mm	1150
4.25	Distance between fork arms	b5	mm	685
4.32	Ground clearance, centre of wheelbase	m2	mm	35
4.34	Aisle width	Ast	mm	1900
4.34	Aisle width with lowered platform (Optional for LX-FX series)	Ast	mm	NOT APPLICABLE
4.34	Aisle width with raised platform (Optional for LX-FX series)	Ast	mm	NOT APPLICABLE
4.35	Turning radius	Wa	mm	1435
4.35	Turning radius with lowered platform	Wa	mm	NOT APPLICABLE
4.35	Turning radius with raised platform	Wa	mm	NOT APPLICABLE

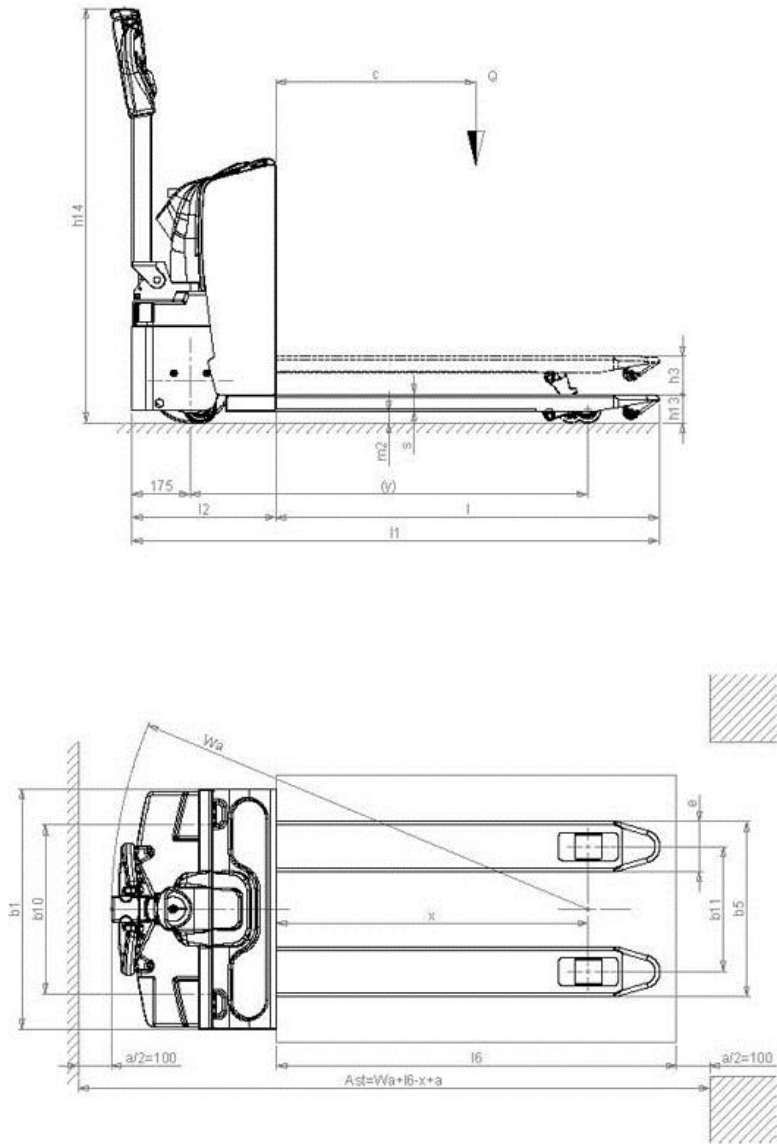
Performance data

5.1	Travel speed laden	km/h	4.5
5.1	Travel speed unladen	km/h	4.7
5.1	Travel speed laden with platform in lowered position	km/h	NOT APPLICABLE
5.1	Travel speed unladen with platform in lowered position	km/h	NOT APPLICABLE
5.2	Lifting speed laden	m/s	0.02
5.2	Lifting speed unladen	m/s	0.03
5.3	Lowering speed laden	m/s	0.04
5.3	Lowering speed unladen	m/s	0.04
5.8	Max gradeability laden	%	5
	Max gradeability unladen	%	10
5.10	Service brake		REVERSE CURRENT BRAKING

Electric motors

6.1	Drive motor power	kW	0.7
6.2	Lift motor power	kW	0.4
6.4	Battery voltage	V	24
6.4	Battery capacity, Min	Ah	110
6.4	Battery capacity, Max	Ah	110
6.5	Battery weight, Min	kg	78
6.5	Battery weight, Max	kg	78

Integrated battery and battery charger



Publishing date: 24/07/13

©2012 | PR INDUSTRIAL s.r.l. | All rights reserved | Image shown may not reflect actual package. Specifications subject to change without notice | ENERGY GENERATION is registered trademarks of PR INDUSTRIAL s.r.l. Other company, product or service names may be trademarks or service marks of others. RevA (06/2012).